

- HF70RH8x15x4
- FC1
- HF70RH8x15x4
- FC2
- HF70RH8x15x4
- FC3

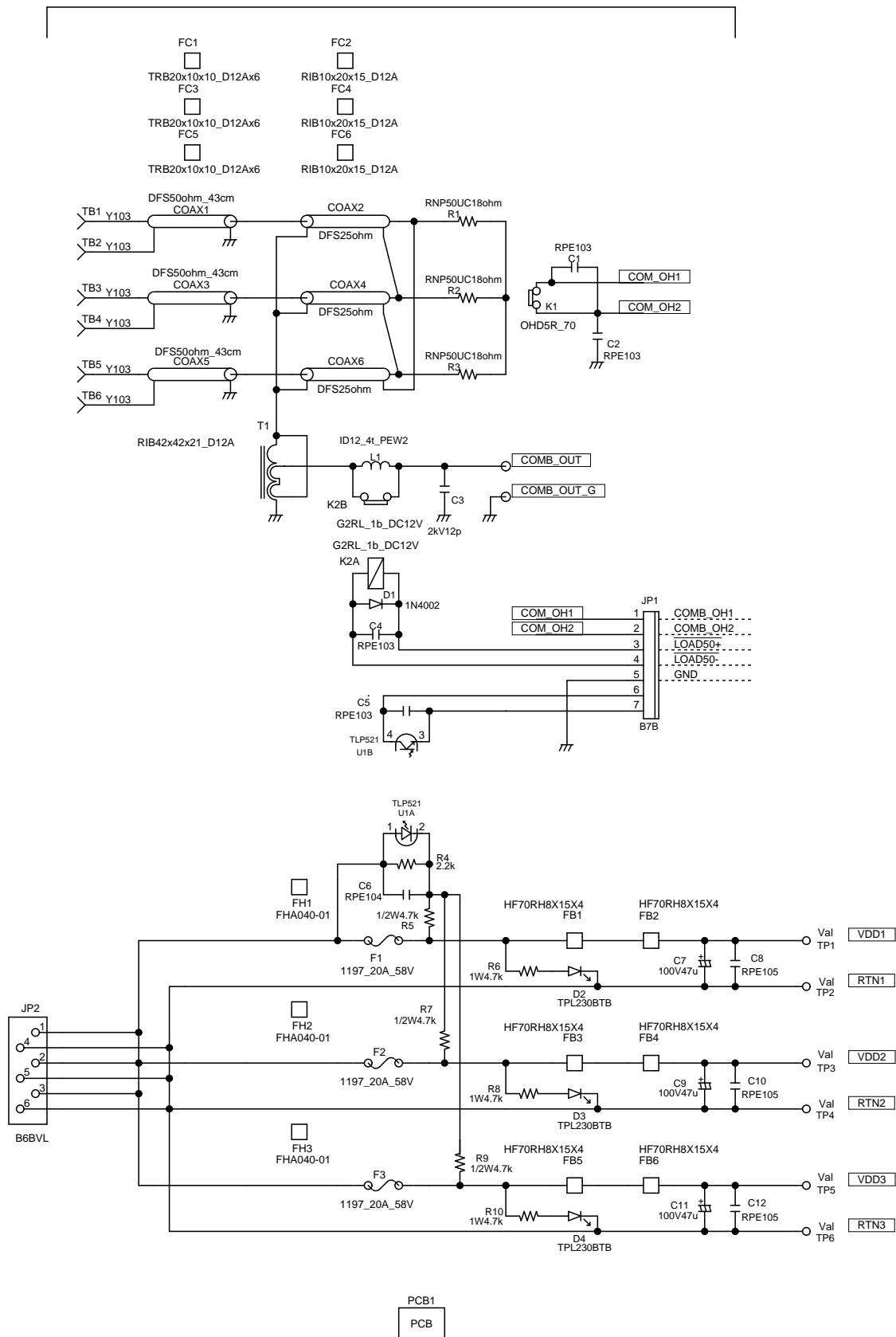
PCB1  
PCB

# PCSO1894

radioaficion.com REVISED : OCT. 17, 2012

TITLE		ATT UNIT		DRAWING_No.		HL2500_ATT.dcd	
		HL-2500FX		TOKYO HY-POWER			
SHEET		DATE					
/		AUG. 17, 2012		T. OHSAWA			

# COMBINER



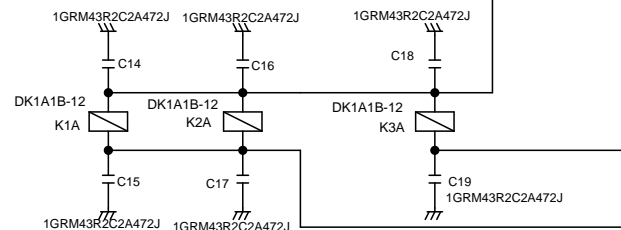
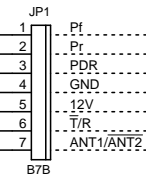
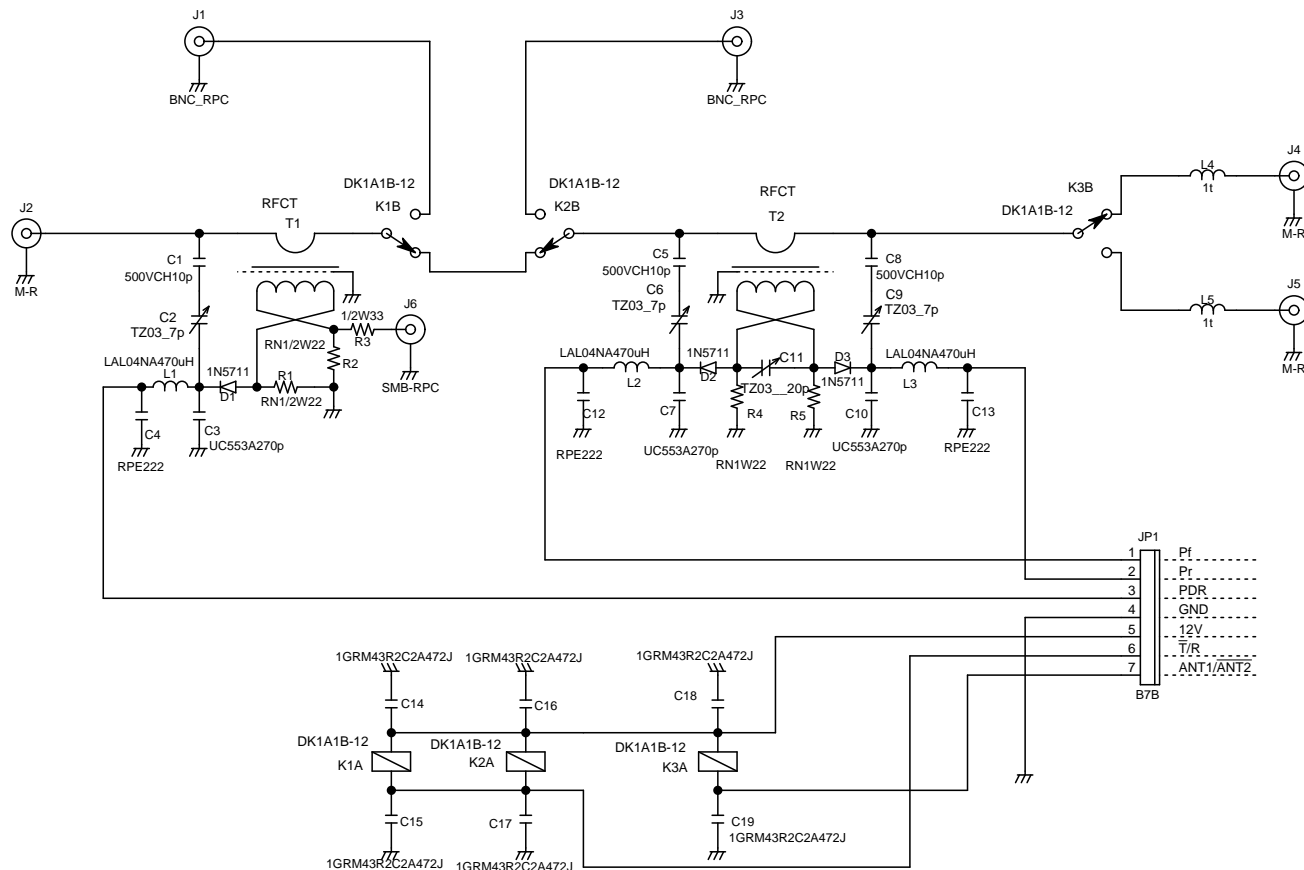
PCSO1897

radioaficion.com

REVISED : OCT. 10, 2012

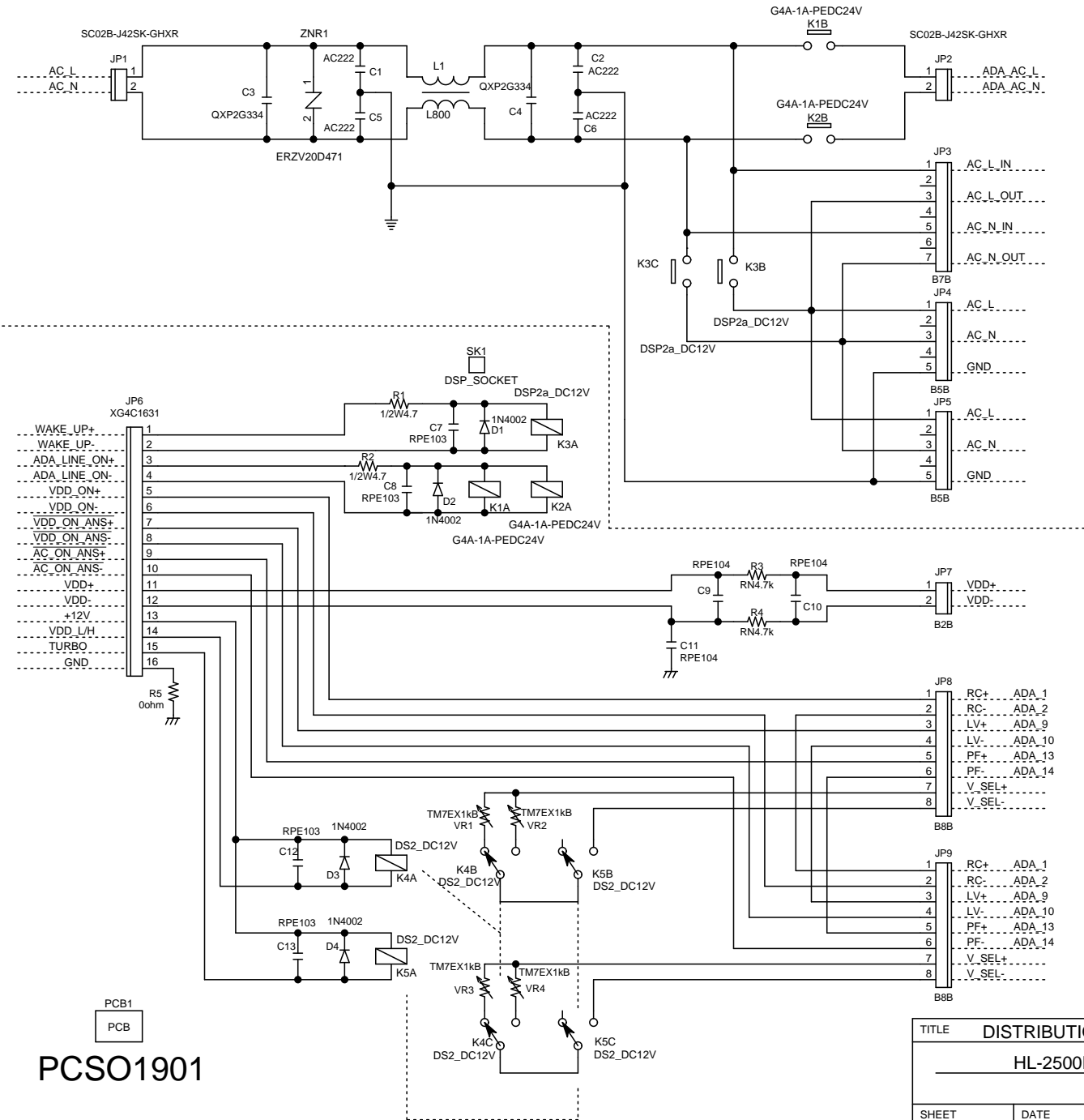
TITLE		DRAWING_No.	
COMBINER UNIT		HL2500_COMB.dcd	
HL-2500FX		TOKYO HY-POWER	
SHEET	DATE	DESIGN	
/	AUG. 17, 2012	T. OHSAWA	





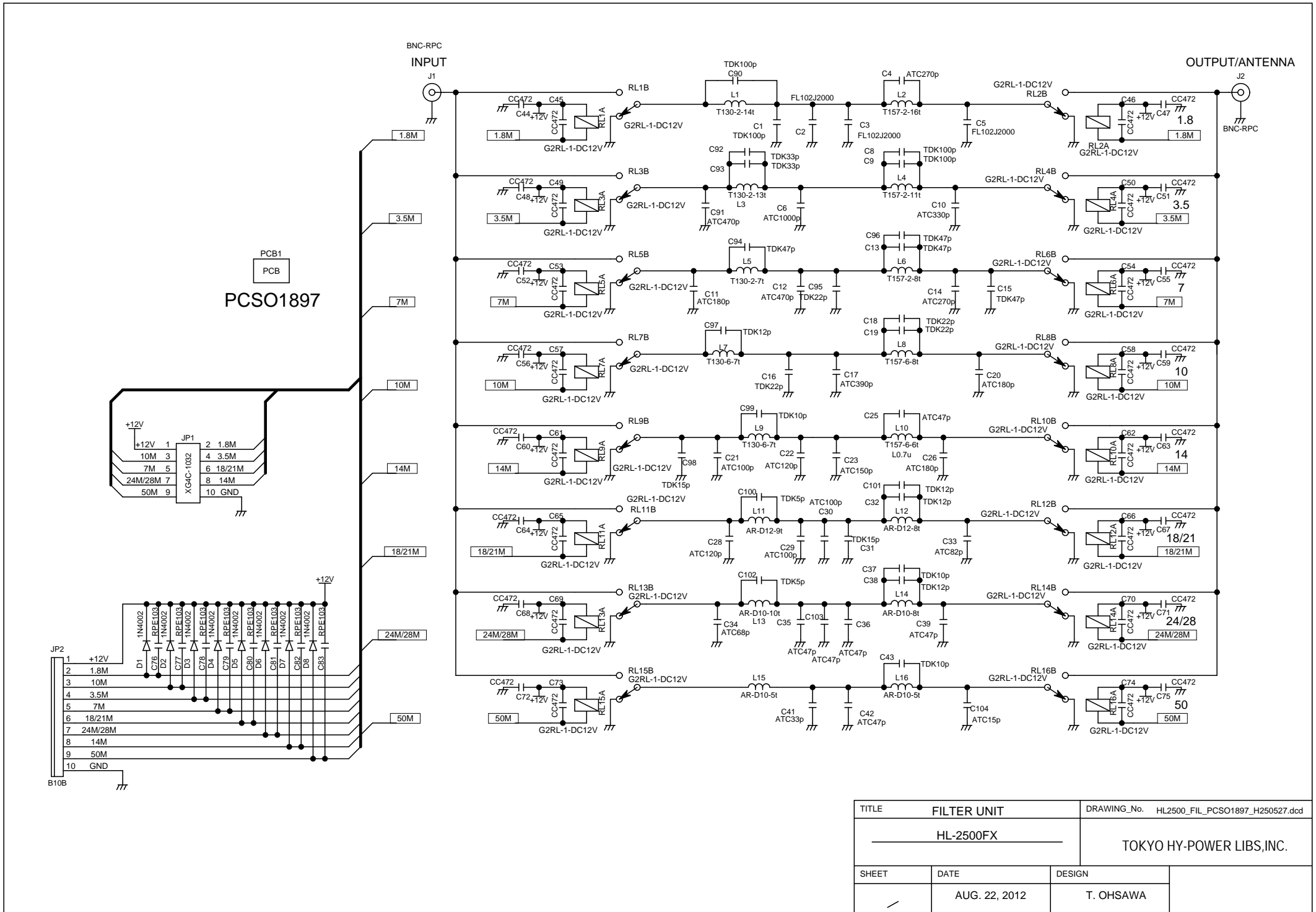
PCSO1898

TITLE		DETECTOR UNIT		DRAWING_No.		HL2500_DET.dcd	
		HL-2500FX		TOKYO HY-POWER			
SHEET	DATE	DESIGN					
/	AUG. 17, 2012	T. OHSAWA					

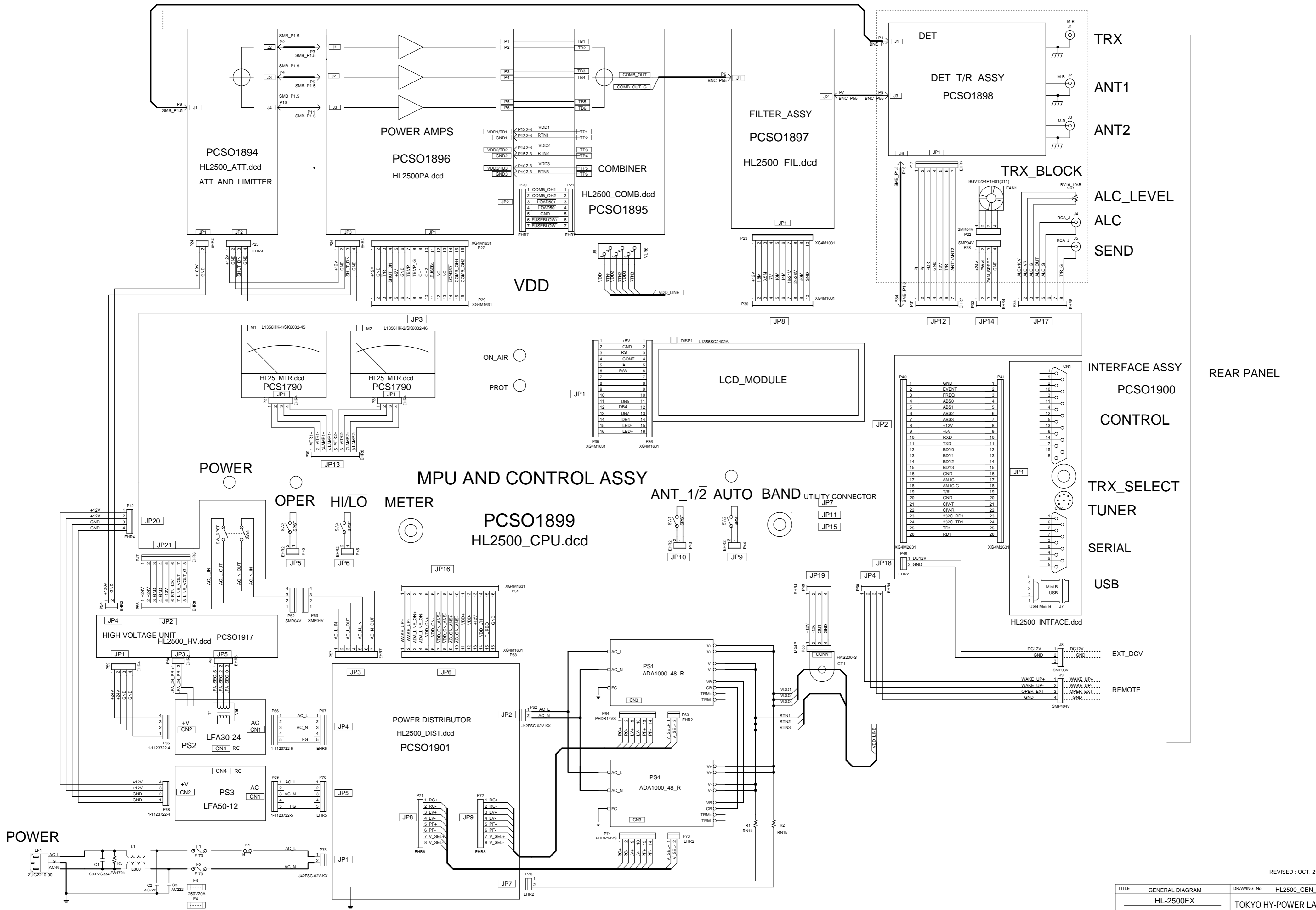


PCSO1901

TITLE		DISTRIBUTION UNIT		DRAWING_No. HL2500_DIST.dcd	
		HL-2500FX		TOKYO HY-POWER LABS, INC.	
SHEET	DATE	DESIGN			
/	OCT. 18, 2012	T. OHSAWA			

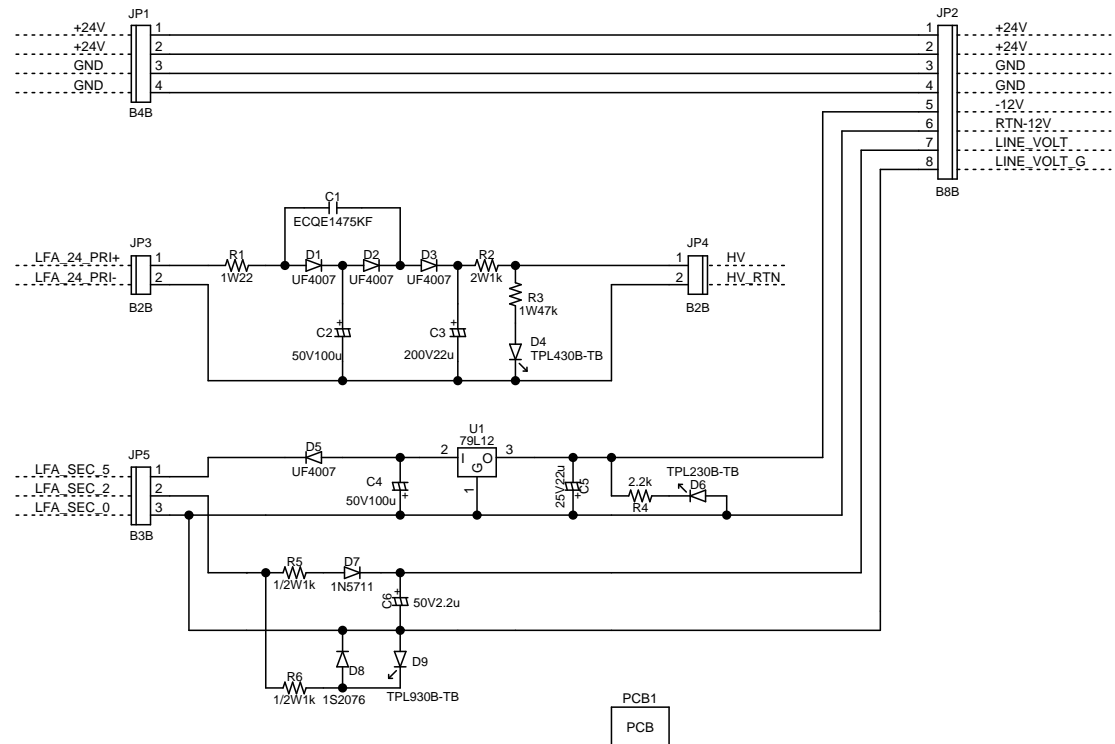


TITLE		FILTER UNIT		DRAWING_No. HL2500_FIL_PCSO1897_H250527.dcd	
		HL-2500FX		TOKYO HY-POWER LIBS,INC.	
SHEET	DATE	DESIGN			
/	AUG. 22, 2012	T. OHSAWA			



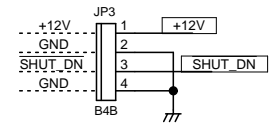
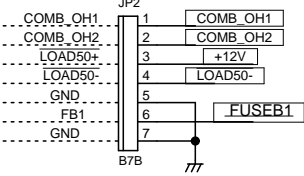
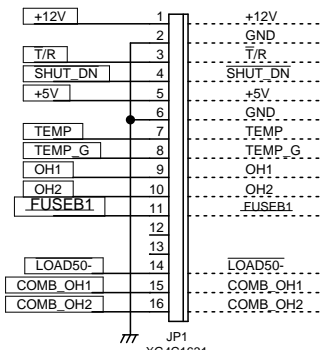
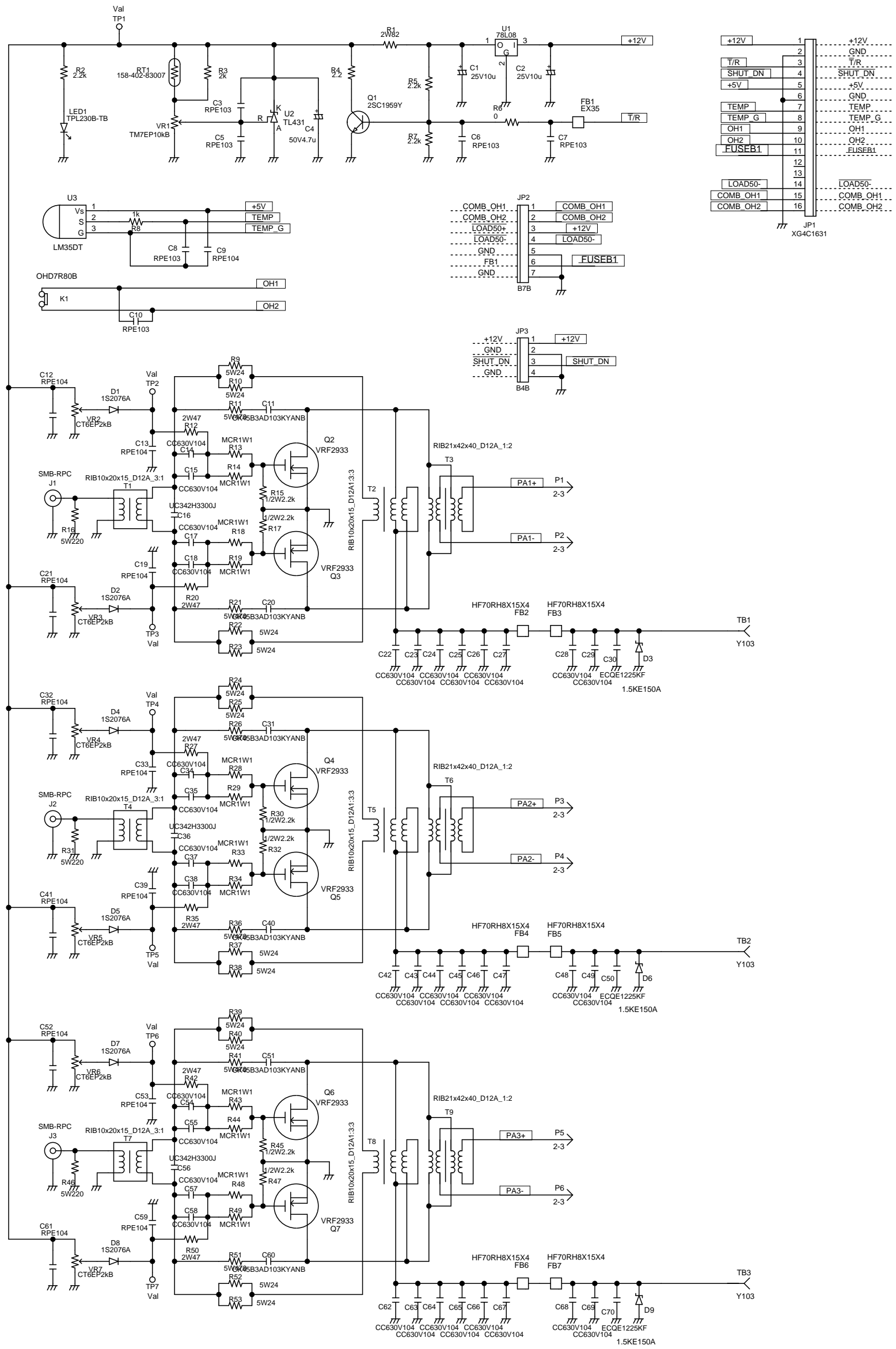
REVISED : OCT. 25, 2012

TITLE	GENERAL DIAGRAM	DRAWING_No	HL2500_GEN_E.dcd
	HL-2500FX		TOKYO HY-POWER LABS,INC.
SHEET	DATE	DESIGN	
	AUG. 22, 2012	T. OHSAWA	



PCSO1917

TITLE HIGH VOLTAGE UNIT		DRAWING_No. HL2500_HV.dcd	
HL-2500FX		TOKYO HY-POWER LABS, INC.	
SHEET	DATE	DESIGN	
/	AUG. 20, 2012	T. OHSAWA	



PCB1  
PCB  
**PCSO1896**

REVISED : OCT. 22, 2012

TITLE		DRAWING No.	
PA UNIT		HL2500PA.dcd	
HL-2500FX		TOKYO HY-POWER	
SHEET	DATE	DESIGN	
1	AUG. 17, 2012	T. OHSAWA	